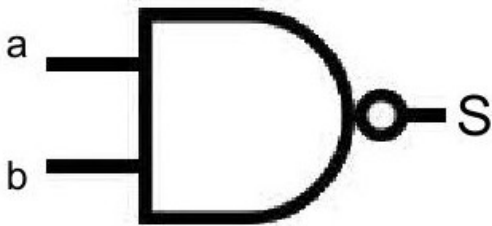
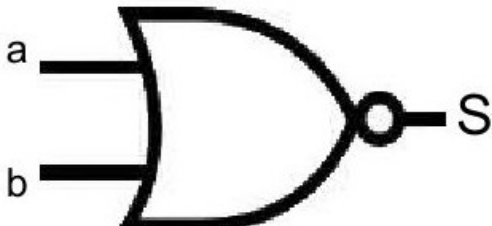


LES FONCTIONS LOGIQUES - 2

<p>NON-ET = NAND</p>		<p>S = (Se lit S = a et b barre)</p>	<table border="1" style="width: 100%; border-collapse: collapse;"> <thead> <tr> <th>a</th> <th>b</th> <th>S</th> </tr> </thead> <tbody> <tr><td>0</td><td>0</td><td></td></tr> <tr><td>0</td><td>1</td><td></td></tr> <tr><td>1</td><td>0</td><td></td></tr> <tr><td>1</td><td>1</td><td></td></tr> </tbody> </table>	a	b	S	0	0		0	1		1	0		1	1	
a	b	S																
0	0																	
0	1																	
1	0																	
1	1																	
<p>NON-OU = NOR</p>		<p>S = (Se lit S = a ou b barre)</p>	<table border="1" style="width: 100%; border-collapse: collapse;"> <thead> <tr> <th>a</th> <th>b</th> <th>S</th> </tr> </thead> <tbody> <tr><td>0</td><td>0</td><td></td></tr> <tr><td>0</td><td>1</td><td></td></tr> <tr><td>1</td><td>0</td><td></td></tr> <tr><td>1</td><td>1</td><td></td></tr> </tbody> </table>	a	b	S	0	0		0	1		1	0		1	1	
a	b	S																
0	0																	
0	1																	
1	0																	
1	1																	

En reliant les entrées, ces fonctions permettent de réaliser la fonction

Fig. 1

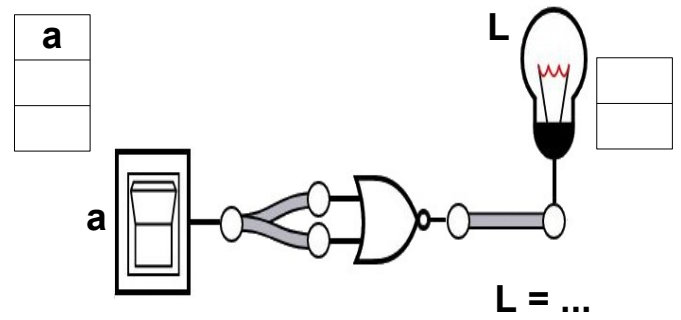
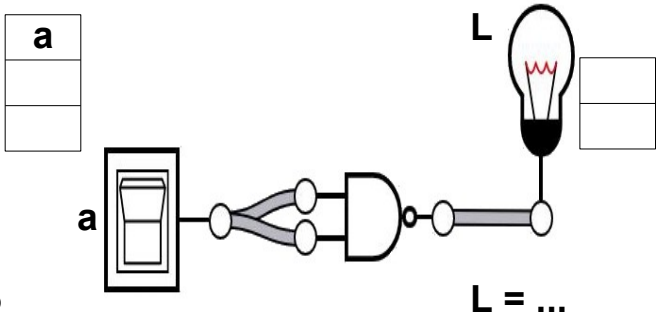
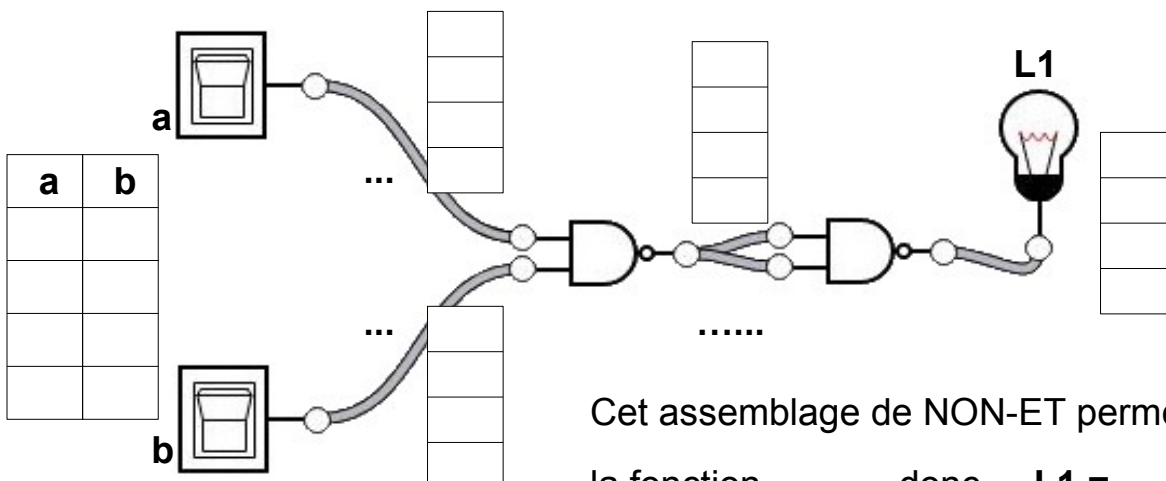


Fig. 2

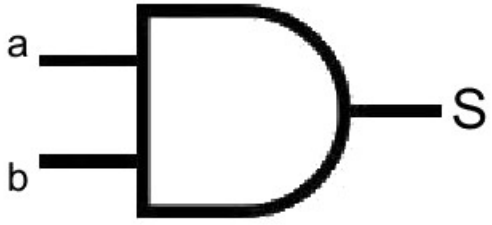
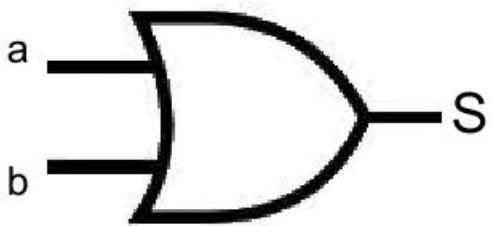
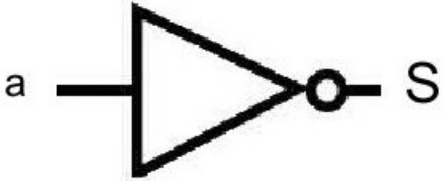
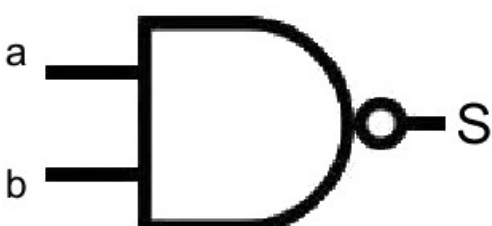
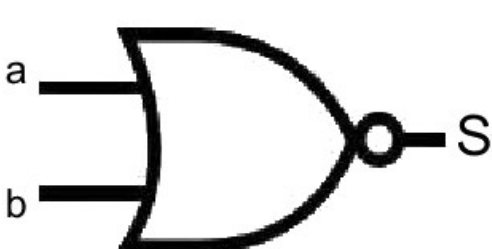
Assemblages de fonctions NON-ET

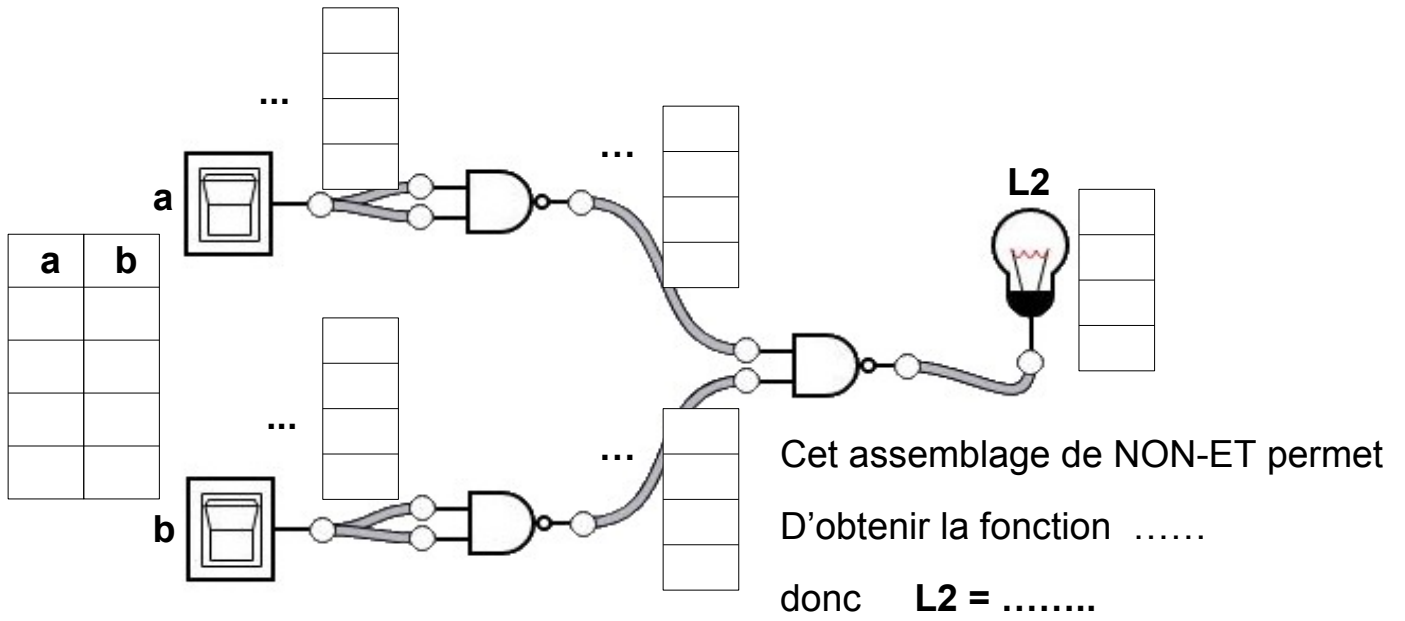


Cet assemblage de NON-ET permet d'obtenir la fonction donc **L1 =**

NOM :

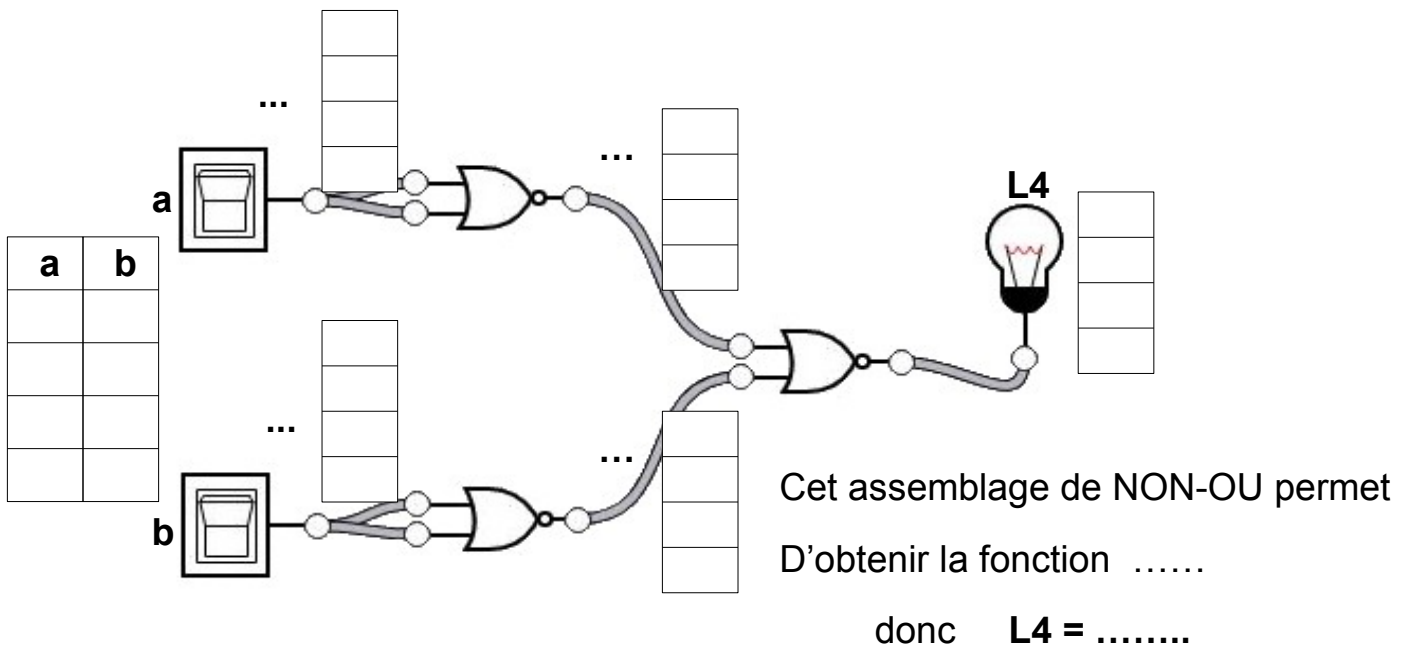
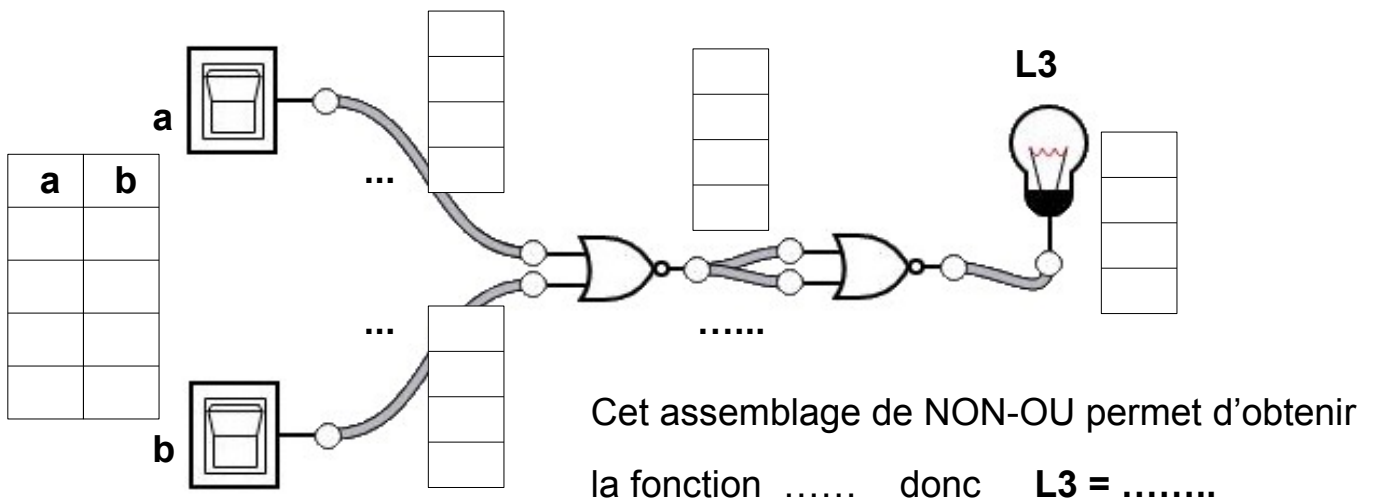
Fonctions logiques

Type	Symbole américain	Opération S	Table de vérité															
ET = AND		S =	<table border="1"> <thead> <tr> <th>a</th> <th>b</th> <th>S</th> </tr> </thead> <tbody> <tr><td>0</td><td>0</td><td></td></tr> <tr><td>0</td><td>1</td><td></td></tr> <tr><td>1</td><td>0</td><td></td></tr> <tr><td>1</td><td>1</td><td></td></tr> </tbody> </table>	a	b	S	0	0		0	1		1	0		1	1	
a	b	S																
0	0																	
0	1																	
1	0																	
1	1																	
OU = OR		S =	<table border="1"> <thead> <tr> <th>a</th> <th>b</th> <th>S</th> </tr> </thead> <tbody> <tr><td>0</td><td>0</td><td></td></tr> <tr><td>0</td><td>1</td><td></td></tr> <tr><td>1</td><td>0</td><td></td></tr> <tr><td>1</td><td>1</td><td></td></tr> </tbody> </table>	a	b	S	0	0		0	1		1	0		1	1	
a	b	S																
0	0																	
0	1																	
1	0																	
1	1																	
NON = NOT		S =	<table border="1"> <thead> <tr> <th>a</th> <th>S</th> </tr> </thead> <tbody> <tr><td>0</td><td></td></tr> <tr><td>1</td><td></td></tr> </tbody> </table>	a	S	0		1										
a	S																	
0																		
1																		
NON-ET = NAND		S =	<table border="1"> <thead> <tr> <th>a</th> <th>b</th> <th>S</th> </tr> </thead> <tbody> <tr><td>0</td><td>0</td><td></td></tr> <tr><td>0</td><td>1</td><td></td></tr> <tr><td>1</td><td>0</td><td></td></tr> <tr><td>1</td><td>1</td><td></td></tr> </tbody> </table>	a	b	S	0	0		0	1		1	0		1	1	
a	b	S																
0	0																	
0	1																	
1	0																	
1	1																	
NON-OU = NOR		S =	<table border="1"> <thead> <tr> <th>a</th> <th>b</th> <th>S</th> </tr> </thead> <tbody> <tr><td>0</td><td>0</td><td></td></tr> <tr><td>0</td><td>1</td><td></td></tr> <tr><td>1</td><td>0</td><td></td></tr> <tr><td>1</td><td>1</td><td></td></tr> </tbody> </table>	a	b	S	0	0		0	1		1	0		1	1	
a	b	S																
0	0																	
0	1																	
1	0																	
1	1																	



Assemblages de fonctions NON-OU

Fig. 3



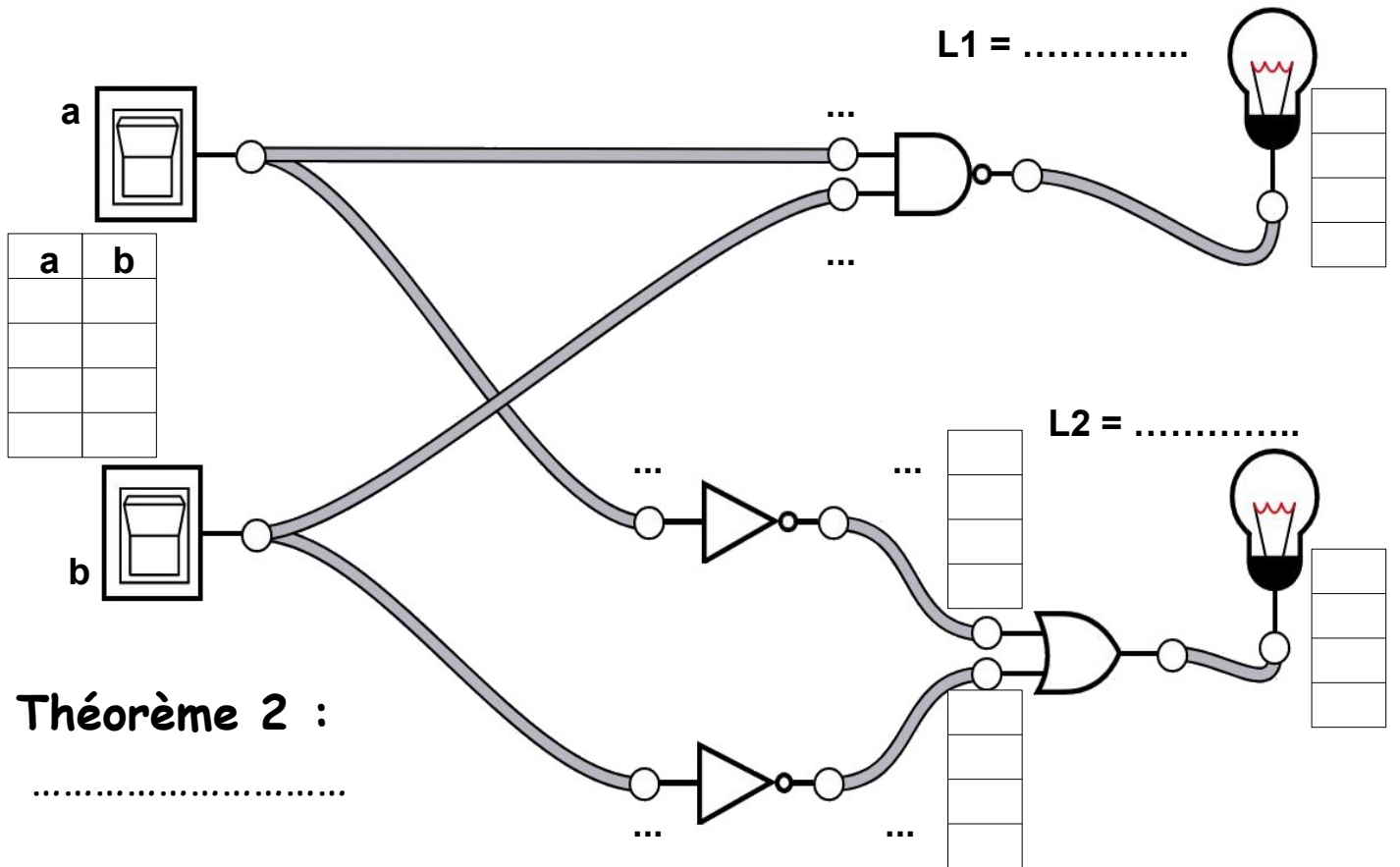
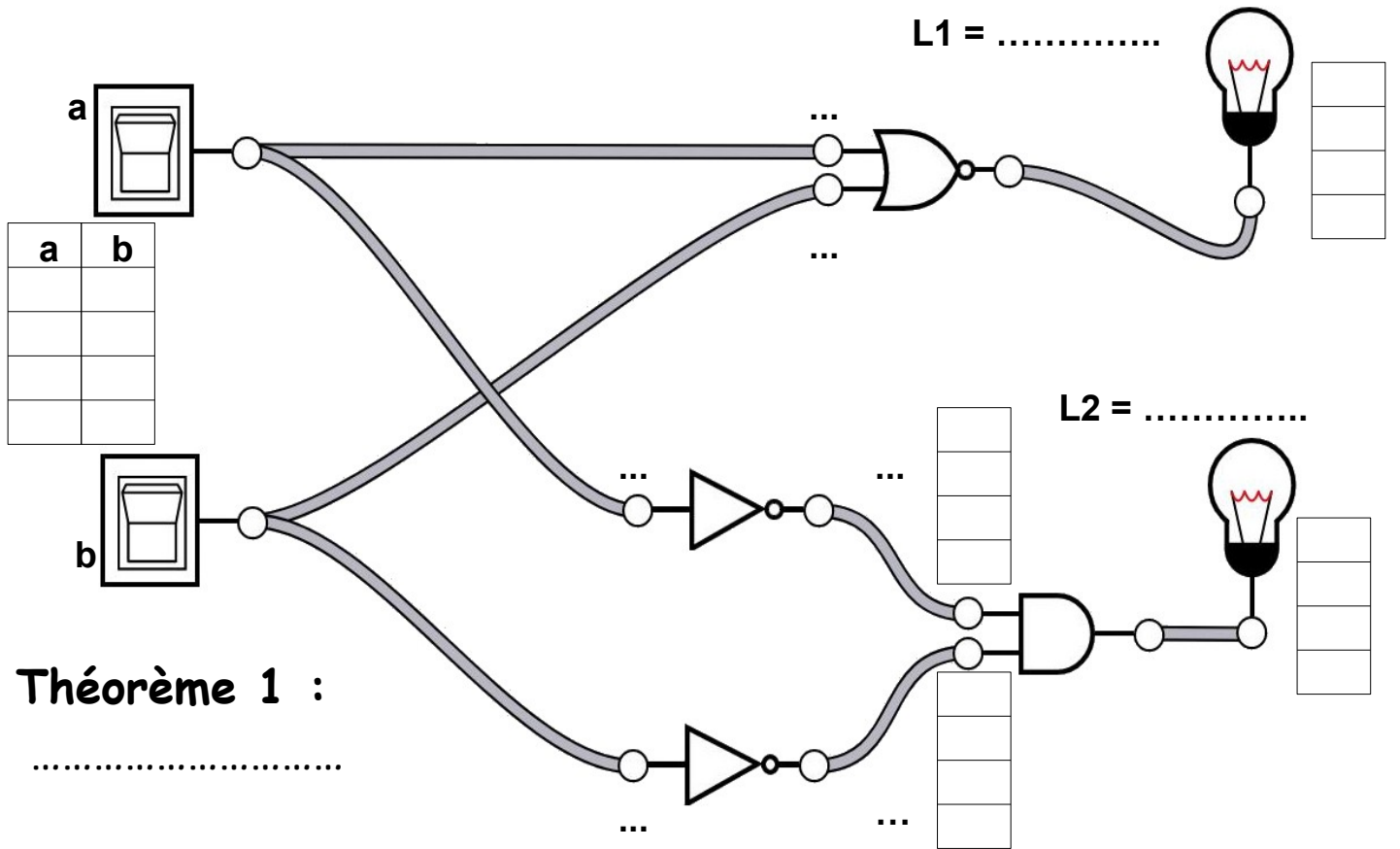


Fig. 4

NOM :

Exercice 1

